



MZ Construction Consumable Supplies LTD

MISSION

With ideas, passion and courage, we are rewriting the rules.

VISION

To be internationally recognised as an industry game changer by making the complex simple.



MZ Construction Consumable Supply LTD
10 North Avenue, Hayes,
Middlesex, United Kingdom,
UB3 2JE
Contact Number:
+442080610941
+447424438725

Contact Email: mz@mzccs.co.uk
Web site: www.mzccs.co.uk





WHO WE ARE

Our professional valve manufacturing company established in 2001, headquarters in Singapore, technology originating from Europe and a technology research and development center located in Shanghai, China. The main products include ball valves, butterfly valves, and customized products tailored to meet specific customer demands.

With over 20 years of development, has established three advanced factories in Singapore, Shanghai, and Fuzhou, and its products are widely used in various industry sectors, such as oil, petrochemical, chemical, natural gas and more.

The company that provides quality and reliable products to its customers while also focusing on industry innovation and customers' intelligent transformation. We are driven by customer needs, powered by technological innovation, and leverages intelligent digitization as a tool to forge a broad development prospect. is committed to being a trustworthy partner and continues to make significant contributions to the industry by delivering excellence in quality and superior customer service.

MZ Construction Consumable Supply LTD
10 North Avenue, Hayes,
Middlesex, United Kingdom,
UB3 2JE
Contact Number:
+442080610941
+447424438725

Contact Email: mz@mzccs.co.uk
Web site: www.mzccs.co.uk



INNOVATION

A company that provides customized solutions with high technology and good quality valves to its customers. The company aims to become a professional partner to our customers by constantly innovating.



Research & Development

WE dedicated to the research of seal reliability, service life, and process solutions of industrial automatic on-off valves. We focusing on providing customers with professional flow controls technology and product solutions. After years of continuous innovation and improvement, the technology research and development center has obtained a number of technical patents to improve product performance, extend service life, enhance reliability, and assist industrial users in achieving low-carbon emission reduction, safe and reliable efficient operation.



Customized Solutions

WE provides customized solutions for customers' difficulties based on our strong research and design capability and many years of experience in product application in various industries. The company comprehensively uses finite element analysis, thermal field analysis, flow analysis and other technical means to adopt a customized design process, conducts process and test planning, and provides customized automatic valve solutions composed of customized valves, actuators, intelligent positioners, etc.

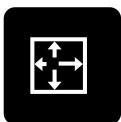
MZ Construction Consumable
Supply LTD
10 North Avenue, Hayes,
Middlesex, United Kingdom,
UB3 2JE
Contact Number:
+442080610941
+447424438725

Contact Email: mz@mzccs.co.uk
Web site: www.mzccs.co.uk



Lifecycle Services

We provide comprehensive services throughout the entire lifecycle of the products, from application sizing, research, design, manufacturing, user installation, on-site technical support, to maintenance services. The team focuses on customer satisfaction, simplifies complex processes, shortens communication gaps, and ensures maximized customer benefits through efficient approaches.



Digital Operation

Digital information management system that is able to trace all processes, from raw material procurement, semi-finished product management, to production and assembly, quality control, product delivery and after-sales services. This ensures an efficient operation system and quality management capabilities.

MZ Construction Consumable Supply LTD
10 North Avenue, Hayes,
Middlesex, United Kingdom,
UB3 2JE
Contact Number:
+442080610941
+447424438725

Contact Email: mz@mzccs.co.uk
Web site: www.mzccs.co.uk

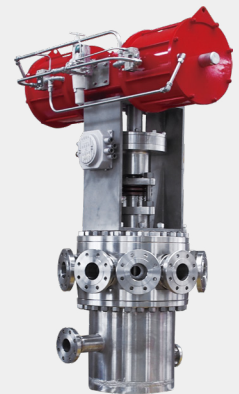
PRODUCT



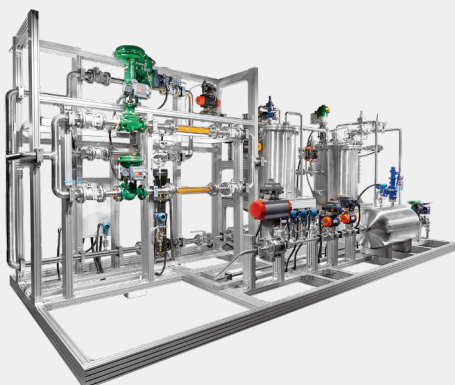
BALL VALVE



BUTTERFLY VALVE



ENGINEERED PRODUCT

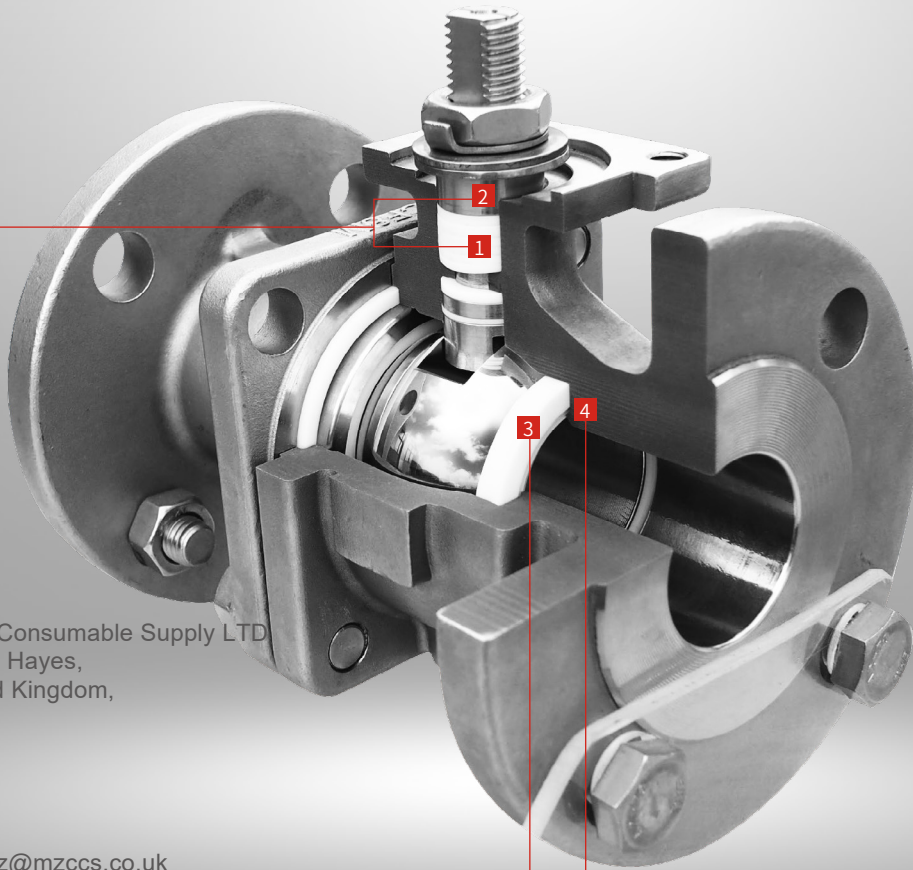


SKID

MZ Construction Consumable Supply LTD
10 North Avenue, Hayes,
Middlesex, United Kingdom,
UB3 2JE
Contact Number:
+442080610941
+447424438725

MZ Construction Consumable Supply LTD
 10 North Avenue, Hayes,
 Middlesex, United Kingdom,
 UB3 2JE
 Contact Number:
 +442080610941
 +447424438725

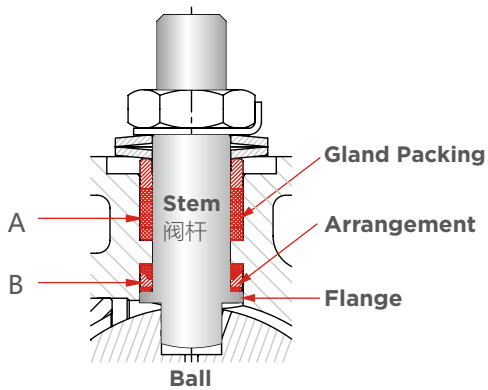
Contact Email: mz@mzccs.co.uk
 Web site: www.mzccs.co.uk



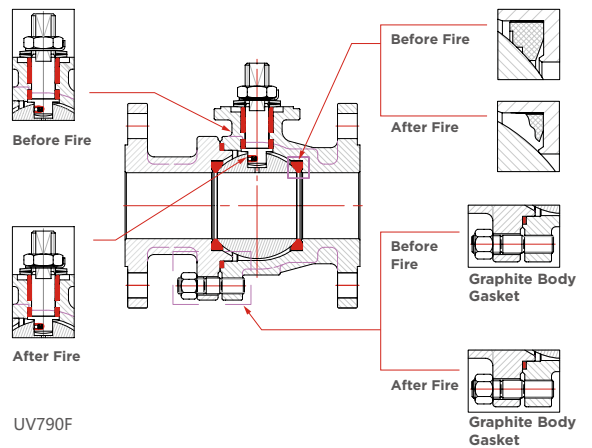
1 Double Packing

2 Blow-out Proof Stem

Double Seal Design of Valve Stem (A+B)



4 Fire Safe Approved Design

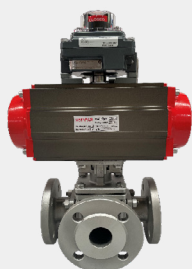
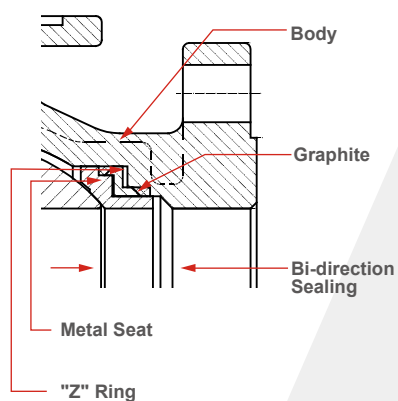


3 Various Material for Seat Ring



BALL VALVE

Bi-direction Sealing UV792Q



UV790 Series

Soft Seat Floating Ball Valve

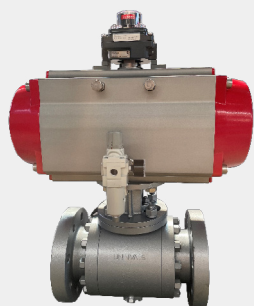
Structure: 2-WAY, 3-WAY, extended
Size: 0.5" ~ 4" (DN15~DN100)
Class: ANSI 150LB ~ 300LB
DIN PN10 ~ PN40
Body Material: Carbon Steel
Stainless Steel
Alloy Steel
Seat Material: PTFE



UV792Q Series

Metal Seat Floating Ball Valve

Structure: 2-WAY, 3 - WAY, extended
Size: 0.5" ~ 4" (DN15~DN100)
Class: ANSI 150LB~300LB
DIN PN10 ~ PN40
Body Material: Carbon Steel
Stainless Steel
Alloy Steel
Seat Material: Hard Faced



UV664 Series

Soft Seat Trunnion Ball Valve

Structure: 2-WAY, 3-WAY, extended
Size: 2" ~ 24" (DN50~DN600)
Class: ANSI 150LB ~ 2500LB
DIN PN10 ~ PN100
Body Material: Carbon Steel
Stainless Steel
Alloy Steel
Seat Material: RPTFE, PEEK



UV664Q Series

Metal Seat Trunnion Ball Valve

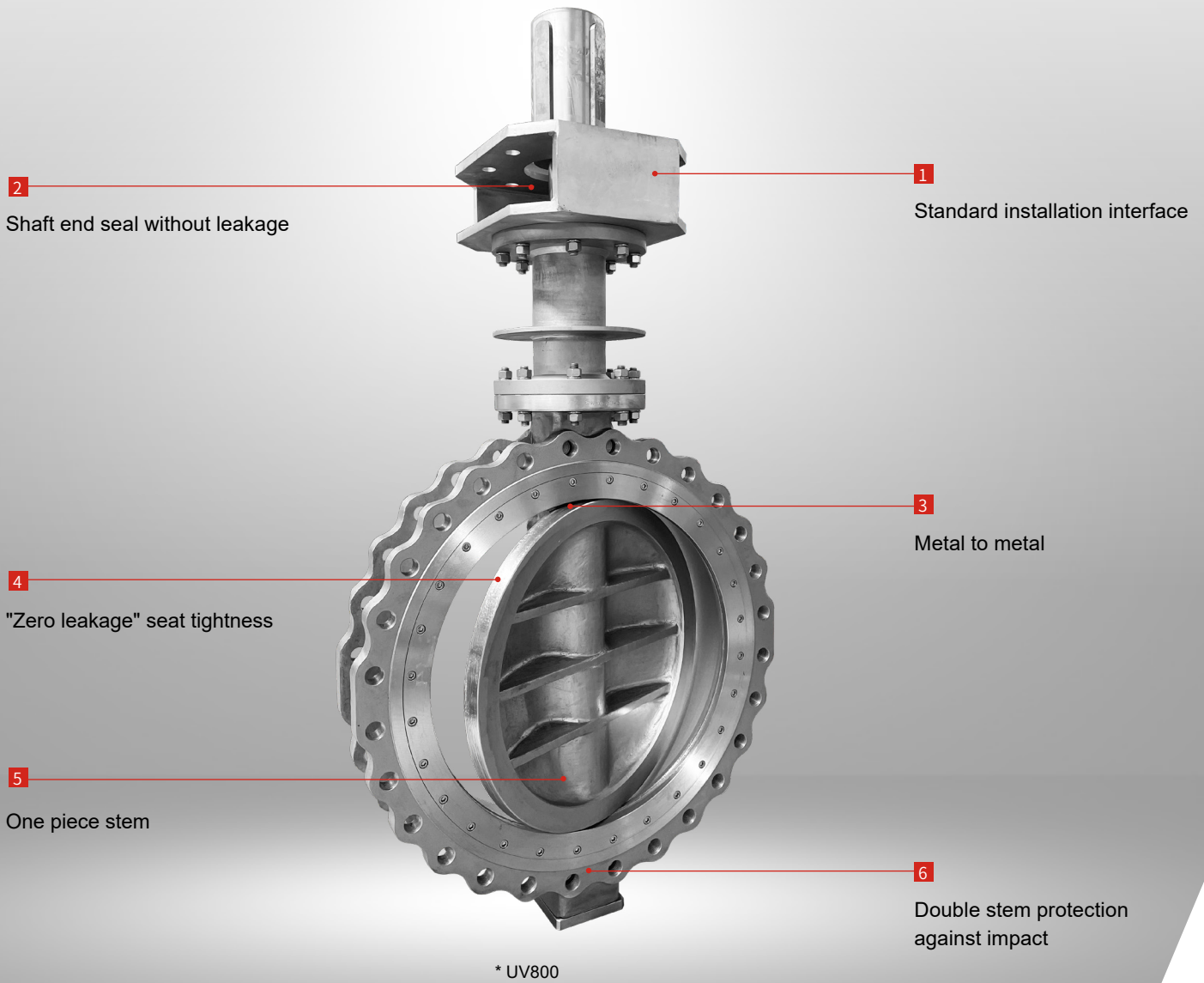
Structure: 2-WAY, 3-WAY, extended
Size: 2" ~ 24" (DN50~DN600)
Class: ANSI 150LB ~ 2500LB
DIN PN10 ~ PN100
Body Material: Carbon Steel
Stainless Steel
Alloy Steel
Seat Material: Hard Faced

MZ Construction Consumable
Supply LTD
10 North Avenue, Hayes,
Middlesex, United Kingdom,
UB3 2JE
Contact Number:
+442080610941
+447424438725

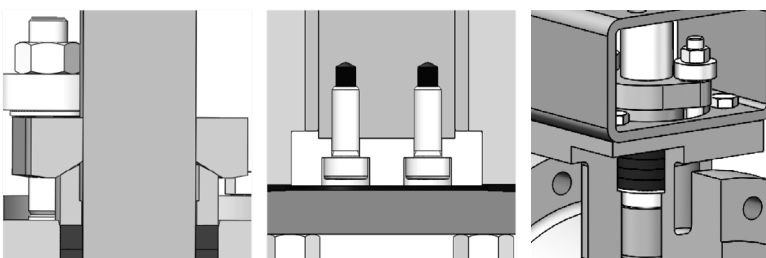
* If the range is out of this scope, please consult with us

Contact Email: mz@mzccs.co.uk
Web site: www.mzccs.co.uk

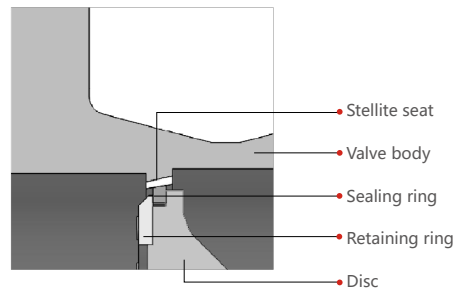
BUTTERFLY VALVE



2 Shaft end seal without leakage



4 "Zero leakage" seat tightness





UV800 Series

Triple Offset Eccentric Butterfly Valve Metal Seated

Size: 3" ~ 48" (DN80~DN1200)

Class: ANSI 150LB ~ 900LB

DIN PN10 ~ PN100

Body Material: Carbon Steel
Stainless Steel

Alloy Steel

Seat Material: Hard Faced



UV510 Series

Centric Butterfly Valve Rubber Line

Size: 1.5" ~ 48" (DN40~DN1200)

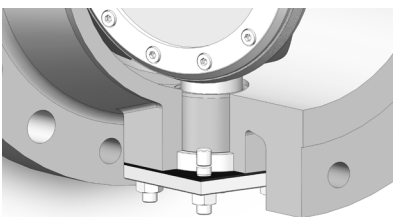
Class: ANSI 125LB ~ 150LB

DIN PN6 ~ PN16

Body Material: Cast Iron, Ductile Iron,
WCB, Stainless Steel

Seat Material: NBR, EPDM, SILICON,
VITON

6 Double stem protection against impact



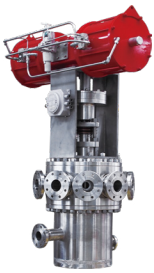
MZ Construction Consumable Supply LTD
10 North Avenue, Hayes,
Middlesex, United Kingdom,
UB3 2JE
Contact Number:
+442080610941
+447424438725

Contact Email: mz@mzccs.co.uk
Web site: www.mzccs.co.uk

ENGINEERED PRODUCT

More material options: Inconel, Monel, Hastelloy C, B2, Titanium Alloy, Zirconium... More structure options, customized solutions

Multi-Port Valve



FEATURE

- The product is suitable for petrochemical and fine chemical industries.
- Automatic control, low cost for disassembly and maintenance, excellent stability.
- Pipe connection design can be customized as request.

Design: ASME B16.34
Structure: 6-WAY, 10-WAY
Body Material: F316
Material: F316 + TCC
Metal Seated: F316 + TCC
Application Temperature: $-50^{\circ}\text{C} \sim 350^{\circ}\text{C}$
Design Life: 10 years non-stop operation
Leakage Rate: 0 leakage
On-off Frequency: $> 25,000 / \text{Y}$

SFBO Tank-Bottom Valve 罐底阀



FEATURE

- Almost no cavity between the sealed ball and the shell.
- Almost no residue in the shell of ball valve.
- Cavity-free ball valve can be used as a bottom ball valve in the mixing vessel.
- Approximately the same torque at different temperatures.
- Longer lifetime of spring sealing system.

Normal Diameter: NPS 1" ~ 10"
DN 25 ~ DN250
Class: ANSI 150LB ~ 300LB
DIN PN10 ~ PN40
Material: 316Ti, 316L
Special Material: Alloy 904L, 318LN,
Alloy 22, Alloy 59,
Alloy C-4, Titanium,
Zirconium
Springs: 316Ti, Alloy C-4
Application Temperature: -50°C to 500°C
Tightness: According to API598

Heating Jacket



FEATURE

- Fully Jacketed.
- Semi Jacketed.
- Semi Jacketed-Welded Free.
- Wide Temperature Range.

Design: ASME B16.34,
GB150-2011
Structure: 1pc/2pcs weld-free design
Material: F304, F316
Jacket Media: 2 Mpa, 300°C steam
Application Temperature: $> 200^{\circ}\text{C}$

MZ Construction Consumable
Supply LTD
10 North Avenue, Hayes,
Middlesex, United Kingdom,
UB3 2JE
Contact Number:
+442080610941
+447424438725

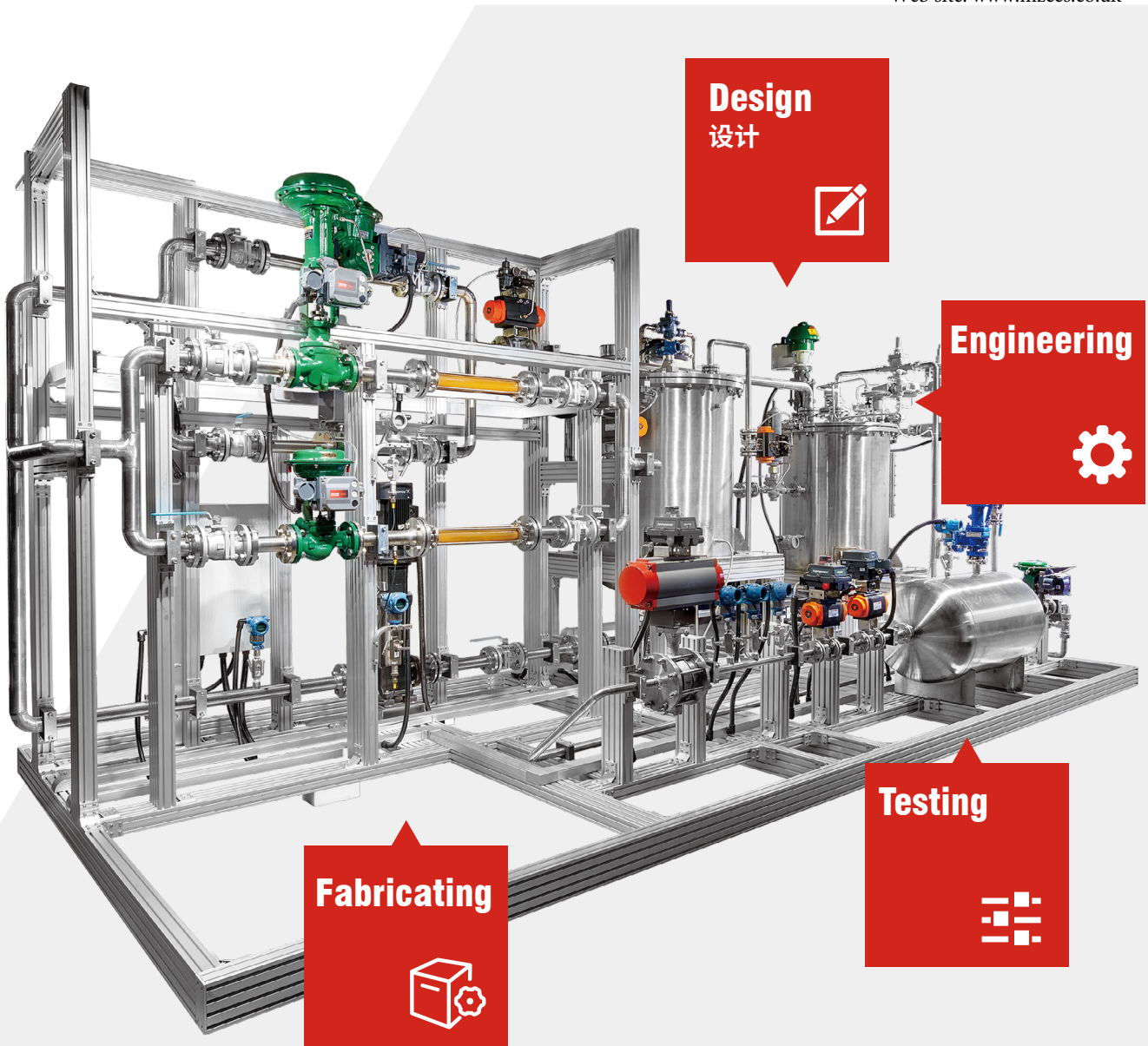
Contact Email: mz@mzccs.co.uk
Web site: www.mzccs.co.uk

SKID

Committed to provide modular skids for air separation, chemical and petrochemical equipment, such as pressure regulating skid, metering skid, combustion skid and DSH skid.

MZ Construction Consumable Supply LTD
10 North Avenue, Hayes,
Middlesex, United Kingdom,
UB3 2JE
Contact Number:
+442080610941
+447424438725

Contact Email: mz@mzccs.co.uk
Web site: www.mzccs.co.uk





MZ Construction Consumable Supplies LTD

MZ Construction Consumable Supply LTD

10 North Avenue, Hayes,
Middlesex, United Kingdom,
UB3 2JE

Contact Number:

+442080610941

+447424438725

Contact Email: mz@mzccs.co.uk

Web site: www.mzccs.co.uk